

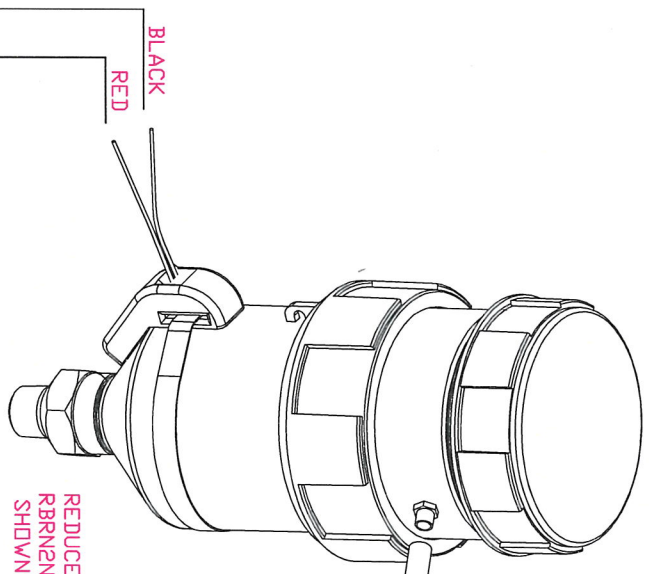
DESCRIPTION

JACKLUBER DC POWER REMOTE CONTROL

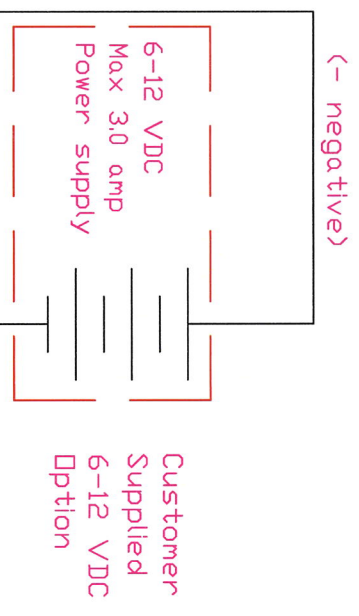
DWG NO.

JAK RPRC

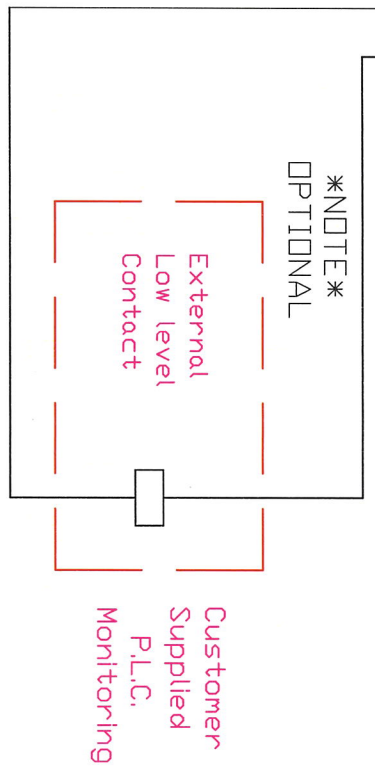
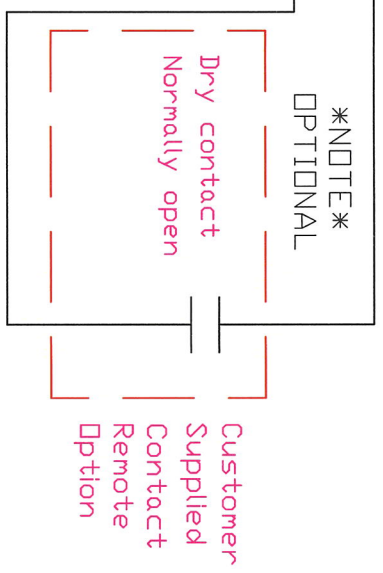
SHOWN = JACKLUBER 125CC MODEL



One Meter Long "F" cable connector



BLACK
BROWN
WHITE
BLUE



NOT TO SCALE

NOTES:
MOTOR RUNNING CURRENT DRAW : 0.15 milliamps
MOTOR STARTUP CURRENT : 2.0 amps

NOTE POWER REMOTE CONTROL REQUIRES FACTORY INTERNAL WIRING, CUSTOMER REQUEST REQUIRED WHEN ORDERING.

A.T.S. ELECTRO-LUBE INTERNATIONAL INC.
7388 WILSON AVE.
DELTA, B.C. CANADA
PHONE 1-800-663-8141
FAX 1-800-663-8140
WWW.ATSELECTROLUBE.COM

DRAWING BY: REJ. B.
DATE: DEC 2015

APPROVED BY: STEPHAN D.
DATE: DEC 2015

DESCRIPTION: JACK-LUBER SERIES REMOTE POWER SUPPLY REMOTE CONTROL (OPTIONAL) EXTERNAL LOW LEVEL (OPTIONAL)

THIS DWG AND ALL INFORMATION HEREON IS PROPERTY OF A.T.S. ELECTRO-LUBE INTERNATIONAL INC. IT MAY NOT BE USED OR COPIED IN ANY WAY WITHOUT NOTIFIED CONSENT OF A.T.S. ELECTRO-LUBE INTERNATIONAL INC.

REV.	ITEM
THIRD ANGLE PROJECTION	
SCALE	
CHK	
TDW/PS	