

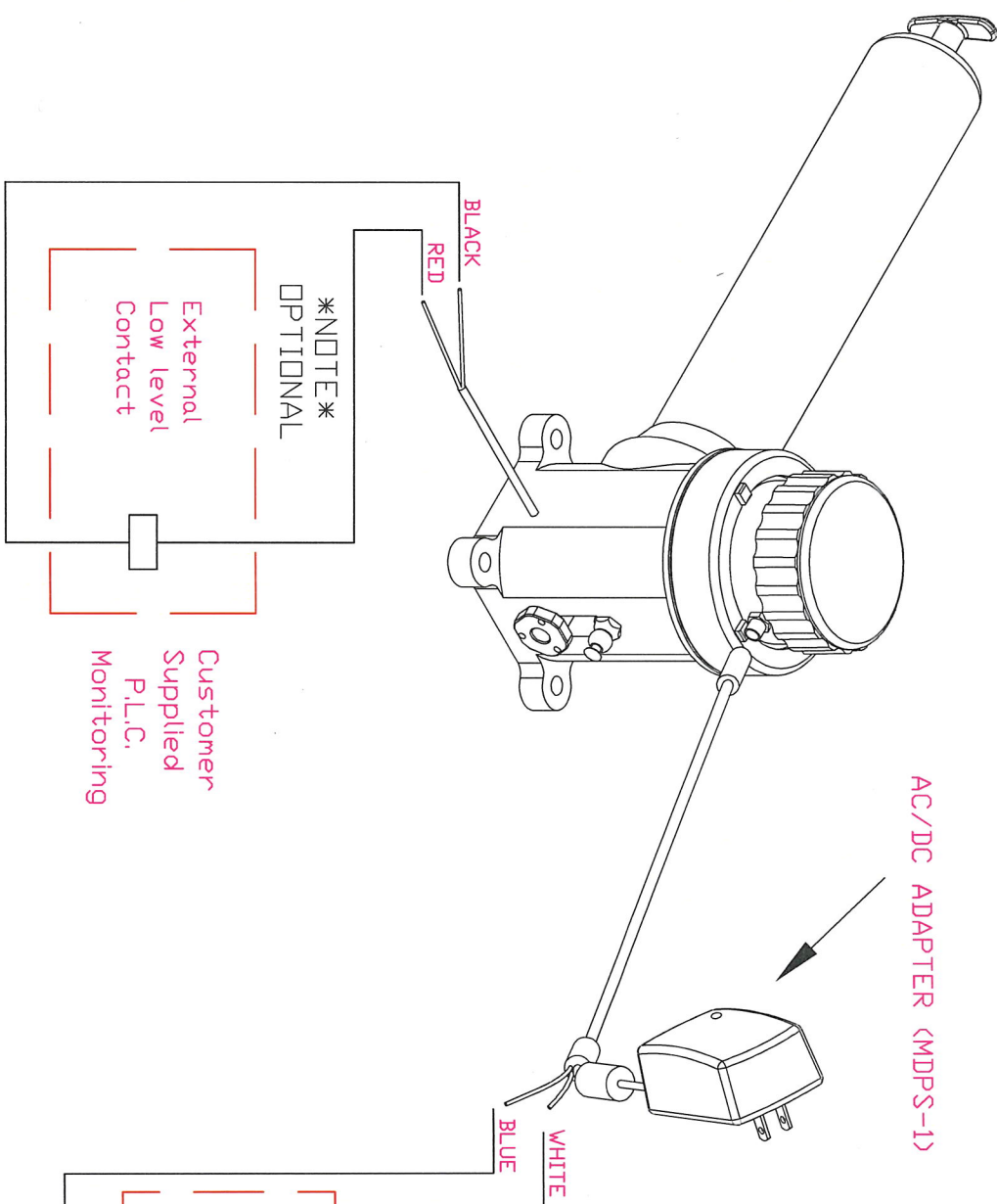
DESCRIPTION

TITAN REMOTE POWER WITH MDPS-1

DWG. NO.

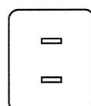
TCL RP MDPS-1

SHOWN = TITAN CL MODEL



AC/DC ADAPTER (MDPS-1)

TYPE  
A



NOT-GROUNDED

\*NOTE\*  
OPTIONAL

External  
Low level  
Contact

Customer  
Supplied  
P.L.C.  
Monitoring

\*NOTE\*  
OPTIONAL

Dry contact  
Normally open

Customer  
Supplied  
Contact  
Remote  
Option

NOT TO SCALE

A.T.S. ELECTRO-LUBE

INTERNATIONAL INC.

7388 WILSON AVE.

DELTA, B.C. CANADA

PHONE 1-800-663-8141

FAX 1-800-663-8140

WWW.ATSELECTROLUBE.COM

APPROVED BY STEPHAN D.

DATE DEC 2015

*[Signature]*

DESCRIPTION

TITAN SERIES  
REMOTE POWER SUPPLY  
REMOTE CONTROL (OPTIONAL)

INTERNAL LOW LEVEL (OPTIONAL)

THIS DWG AND ALL INFORMATION HEREON IS PROPERTY OF  
A.T.S. ELECTRO-LUBE INTERNATIONAL INC. IT MAY NOT BE  
USED OR COPIED IN ANY WAY WITHOUT NOTIFIED CONSENT OF  
A.T.S. ELECTRO-LUBE INTERNATIONAL INC.

REV. ITEM

THIRD ANGLE  
PROJECTION

SCALE

CHK.

TEMP.

NOTES:  
MOTOR RUNNING CURRENT DRAW : 0.6 milliamperes  
MOTOR STARTUP CURRENT : 2.0 amps  
Input : AC100-240V 50/60 Hz  
Output : DC9V 3.0A

\*NOTE\*  
POWER REMOTE CONTROL REQUIRES FACTORY INTERNAL WIRING.  
CUSTOMER REQUEST REQUIRED WHEN ORDERING.

DRAWING BY:

REX. B.

DATE:

DEC 2015

DWG. NO.

TCL RP MDPS-1